

■ ■ **MasterDrive SL Series**

SATA Solid State Drive



Designed for embedded applications, the MasterDrive SL can dramatically help reduce the size and weight of your embedded design. Featuring a JEDEC standard compliant, the master drive has a reduced form-factor that is 157% shorter, 29% more narrow and 375% thinner. And at 1/5th the weight, the MasterDrive SL is a perfect choice for your next embedded project. As with all of our 2.5" SSD designs, the MasterDrive SL supports both Garbage Collection and Trim, to keep it running at full performance over the life of the drive.

Physical Specifications

Form Factor	Slim Lite (JEDEC MO-197A)
Capacity*	8GB - 64GB
Dimension	39.0 X 54.0 X 4.0 mm
SATA Interface	Serial ATA-II
NAND Flash	MLC / SLC
Power Supply	5V ± 10%

Reliability Specifications

MTBF	1,000,000 hours
Data Reliability	Built-in EDC/ECC function
Data Integrity	5 years
Wear Leveling Algor.	Patent Pending

Environmental Specifications

Operating Shock	1500G
Operating Vibration	16G
Operating Temp	0C to +70C

Performance Specifications

	Seq. Read (MB/sec max)	Seq. Write (MB/sec max)
ST8A5XSL	115	35
ST16A6XSL	115	35
SX8B5XSL	115	30
SX16B6XSL	115	30
SX32B7XSL	115	70
SX64N8XSL	120	60

Ordering Information

	MLC	SLC
8GB	SX8B5XSL	ST8A5XSL
16GB	SX16B6XSL	ST16A6XSL
32GB	SX32B7XSL	
64GB	SX64N8XSL	

© 2010 Super Talent Technology. Specifications subject to change without notice. US patent # 6,547,130 and others apply. 1GB=1,000,000,000 Bytes. Usable capacity may be less than specified after formatting. Actual performance varies depending upon the system configuration and the application used. Performance is highly dependent upon test environment and use case. Consult our benchmarking data for more detailed performance information or benchmark performance in your environment.

■ ■ MasterDrive SL Series

SATA Solid State Drive

Pin Assignment

Power Segment

PIN	Symbol	Description
P1	Not Used (3.3V)	N/A
P2	Not Used (3.3V)	N/A
P3	Not Used (3.3V Precharge)	2 nd mate
P4	GND	1 st mate
P5	GND	2 nd mate
P6	GND	2 nd mate
P7	5V Precharge	5V Power, 2 nd mate
P8	5V	5V Power
P9	5V	
P10	GND	2 nd mate
P11	DAS/DSS	Device Activity Signal / Disable Staggered Spinup
P12	GND	1 st mate
P13	Not Used (12V Precharge)	2 nd mate
P14	Not Used (12V)	
P15	Not Used (12V)	

Signal Segment

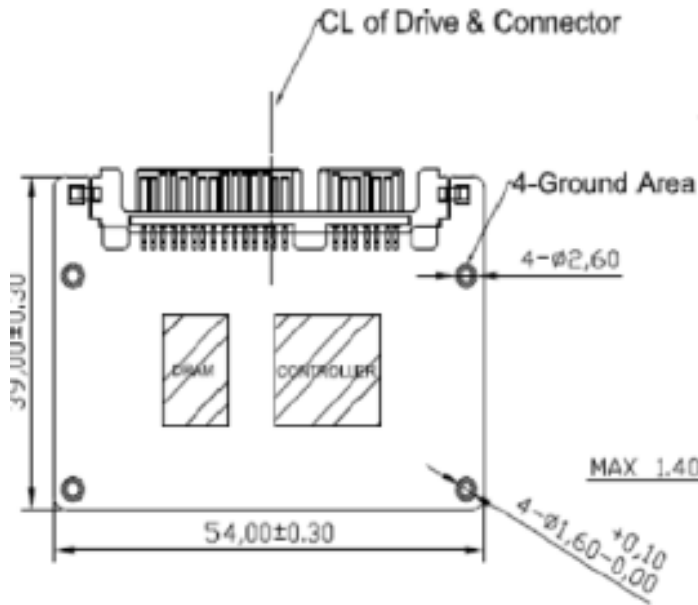
PIN	Plug Connector Pin definition	
S1	GND	2 nd mate
S2	A+	Differential Signal A from Phy
S3	A-	Differential Signal A from Phy
S4	GND	2 nd mate
S5	B-	Differential Signal B from Phy
S6	B+	Differential Signal B from Phy
S7	GND	2 nd mate

■ MasterDrive SL Series

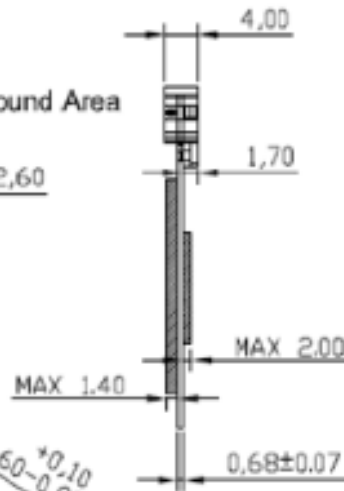
SATA Solid State Drive

Mechanical Descriptions

<TOP VIEW>



<SIDE VIEW>



<BOTTOM VIEW>

